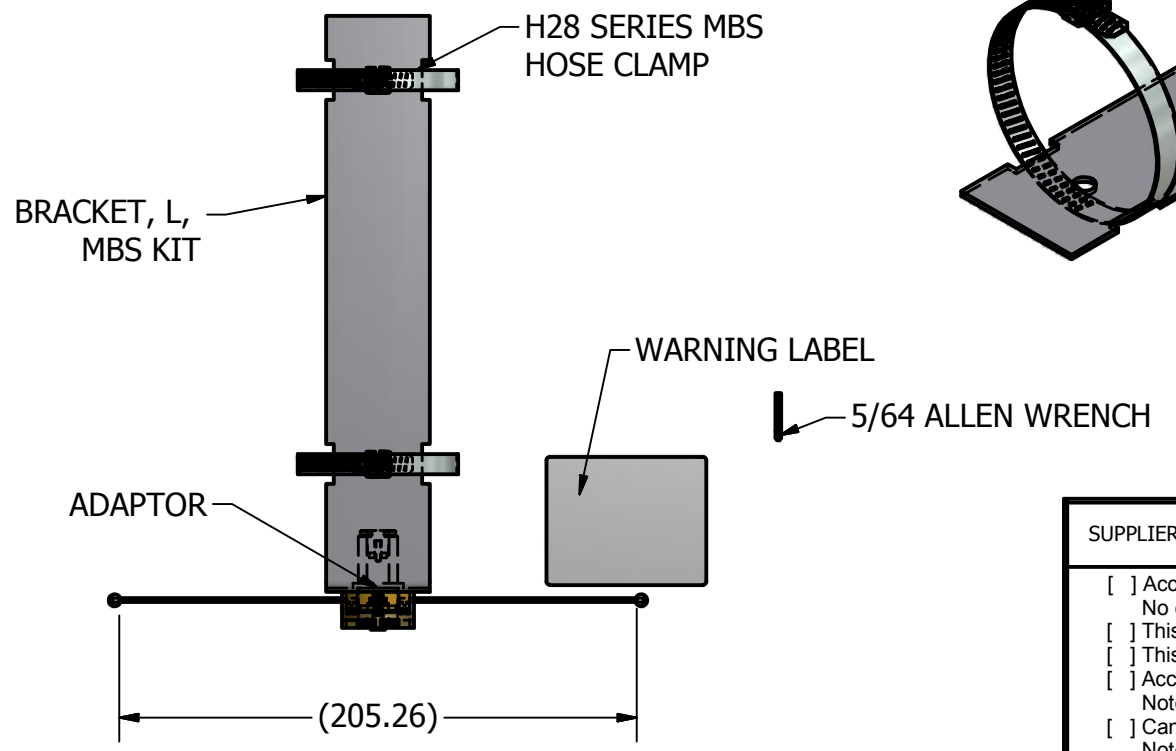
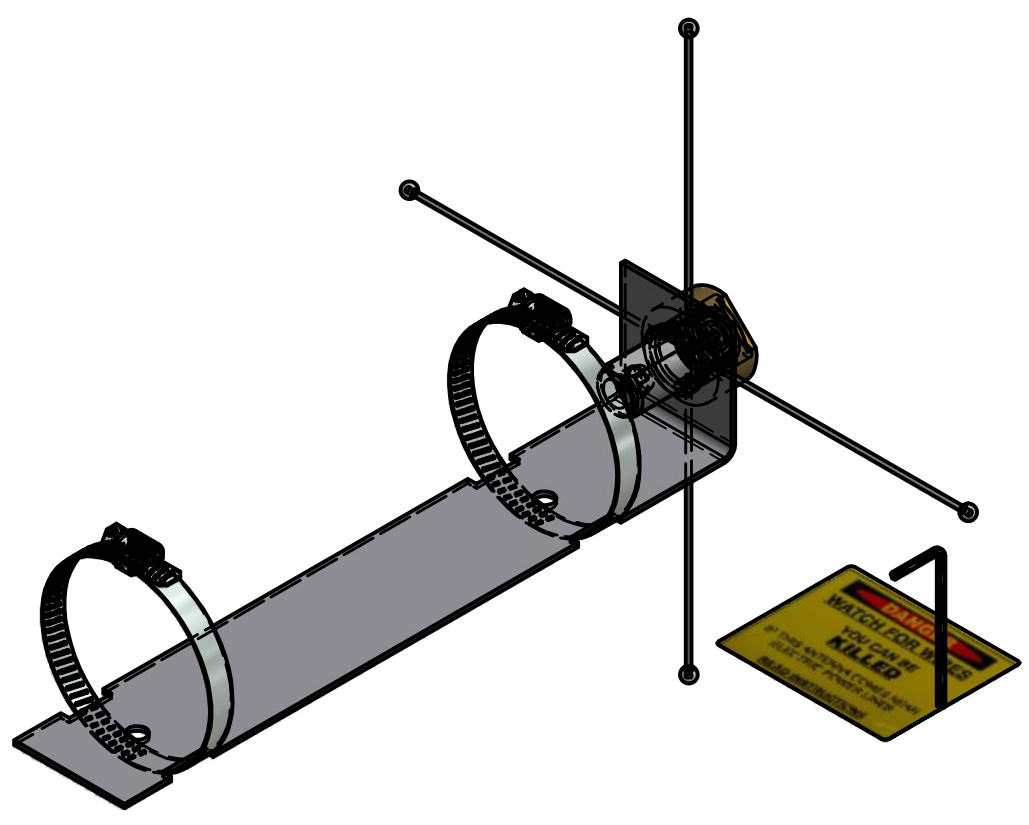
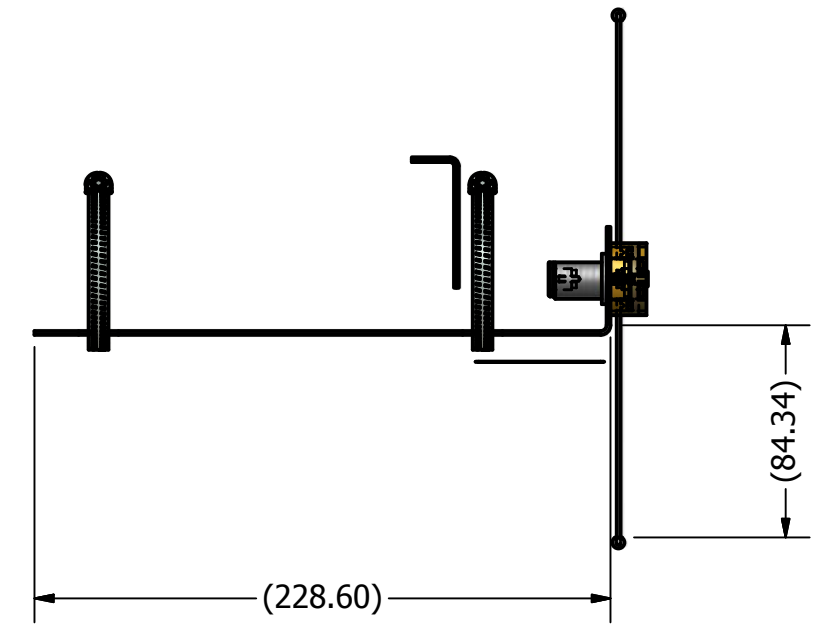
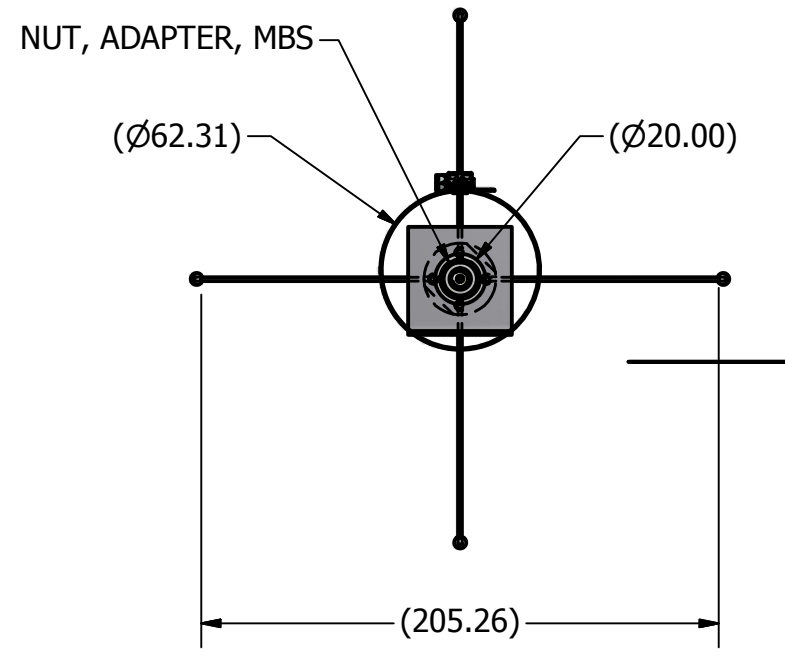


REVISION HISTORY			
REV	DESCRIPTION	DATE	APPROVED
1	800 BASE ADAPTER KIT	9/27/2016	CE



SUPPLIER PRINT ACCEPTANCE:

Accept drawing/specification:
No changes needed:

This part is RoHS compliant

This part is REACH compliant

Accept drawing/specification.
Notes/Mark-ups added

Cannot accept drawing/spec.
Notes/Mark-ups added

Supplier Projected Outgoing Quality:

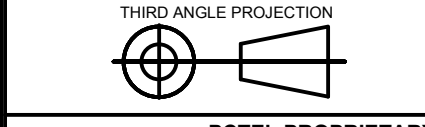
SIGMA LEVEL : _____ or PPM: _____

Signature _____ Date: _____

UNLESS OTHERWISE SPECIFIED
DIMENSIONS ARE IN MILLIMETERS

FOR TOLERANCES NOT SPECIFIED USE:

[X mm ± 3 mm]	[X.X mm ± .3 mm]
[X.XX mm ± .13 mm]	ANGULAR ± 1°



PCTEL PROPRIETARY DATA

THE INFORMATION AND/OR DRAWINGS CONTAINED IN THIS DOCUMENT IS CONFIDENTIAL AND PROPRIETARY TO PCTEL, INC. AND MAY NOT BE USED, REPRODUCED, IN WHOLE OR IN PART, OR MODIFIED IN ANY WAY WITHOUT THE EXPRESS WRITTEN PERMISSION OF AN AUTHORIZED REPRESENTATIVE OF PCTEL, INC.

DRAWN	DATE
CE	8/5/2016
CHECKED	DATE
IP	9/27/2016
MATERIAL:	SEE COMP. PRINTS
FINISH:	SEE COMP. PRINTS

	PCTEL, INC. 471 BRIGHTON DRIVE BLOOMINGDALE, IL 60108 PH. 630-372-6800 FAX. 630-372-8077	
	DESCRIPTION 800, BASE ADAPTER KIT	
DRAWING NO. ODD_MBS800		
SIZE B	SCALE 1/3	SHEET 1 OF 1